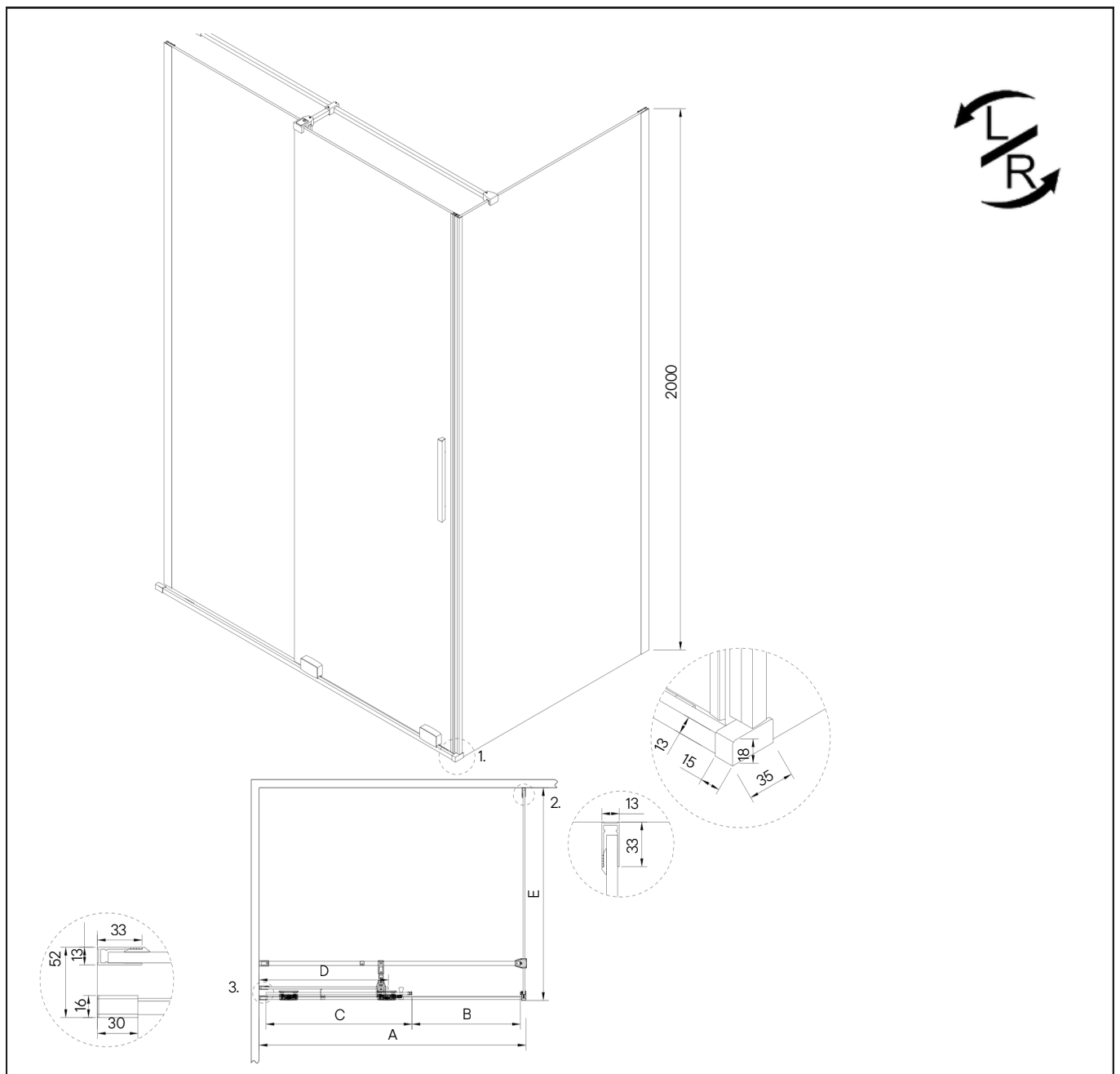


Technical Drawing

KP01F00##-J



Model	Size	A (mm)	B (mm)	C (mm)	D (mm)	E (mm)
KP01U00##-1000x800J	1000x800x2000	985-1000	400	540	478	785-800
KP01U00##-1000x900J	1000x900x2000	985-1000	400	540	478	885-900
KP01U00##-1200x800J	1200x800x2000	1185-1200	500	640	578	785-800